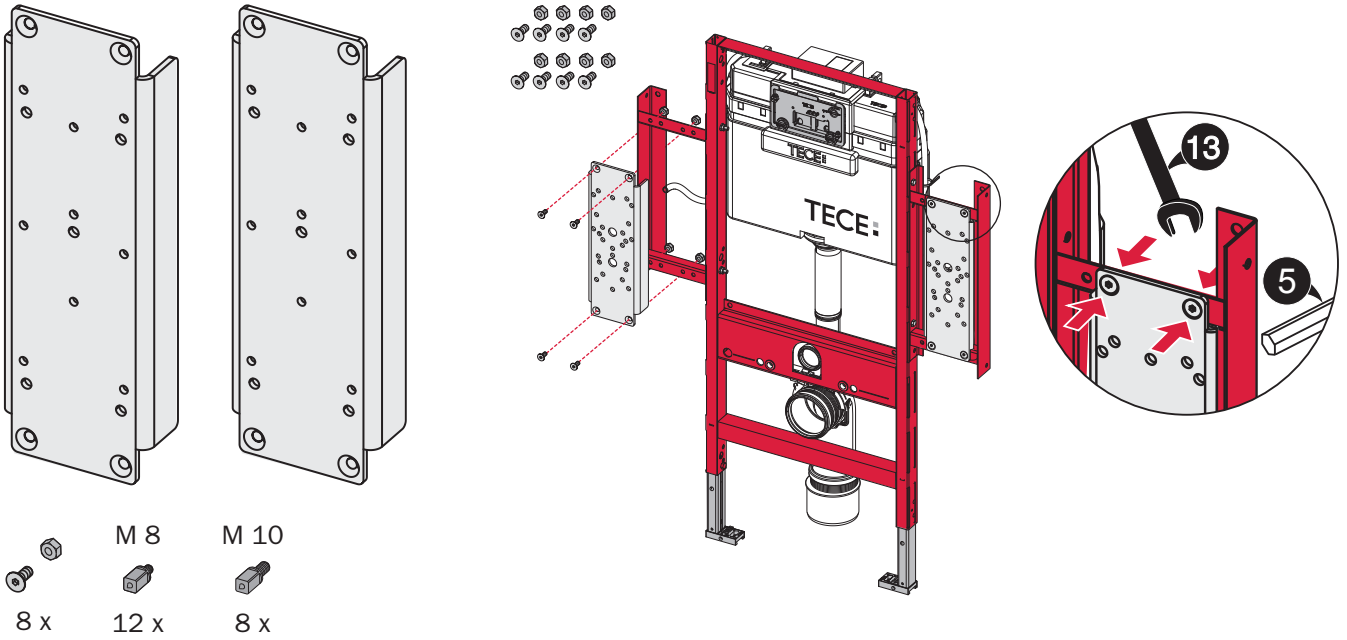
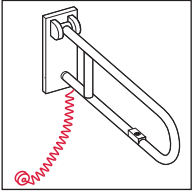


TECEprofil – 9.042.012



Hersteller/manufacturer	Typ/type	Seite/page
Lehnen	Evolution	2
PBA	4CN4450000	3
	4CN445000R	4
SAM	free line	5

TECEprofil – 9.042.012

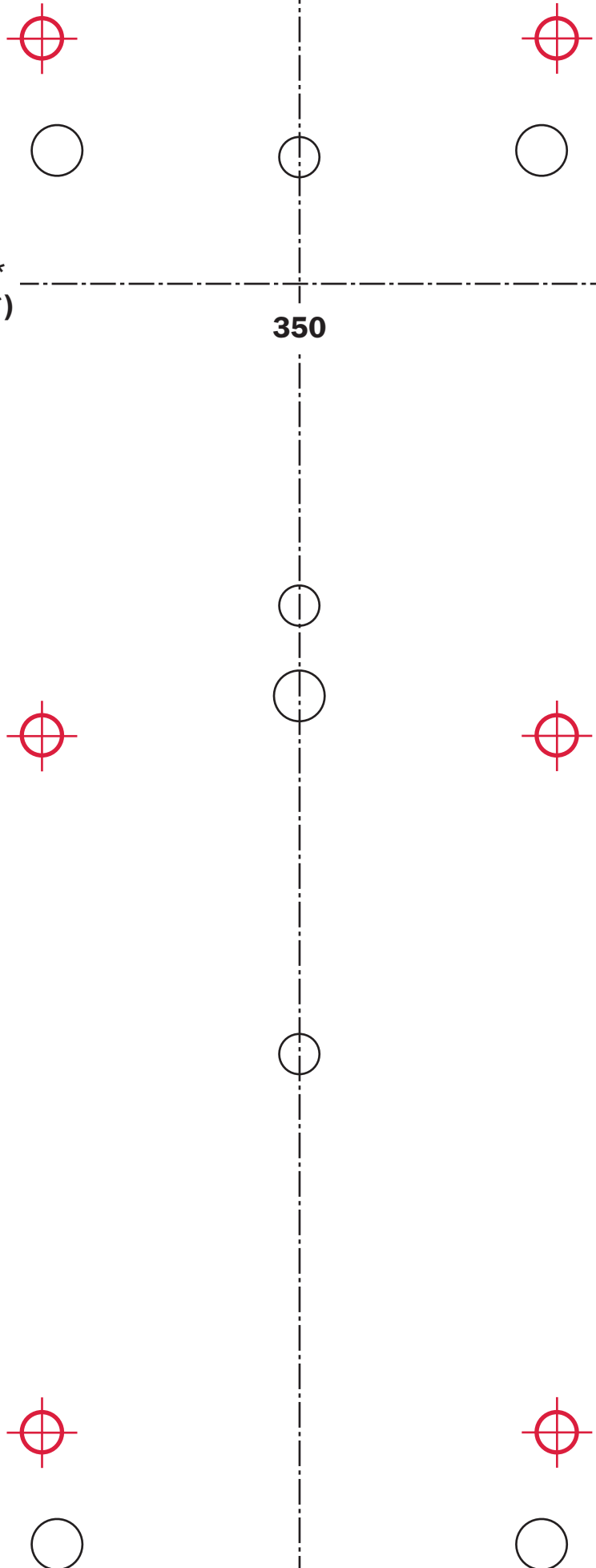
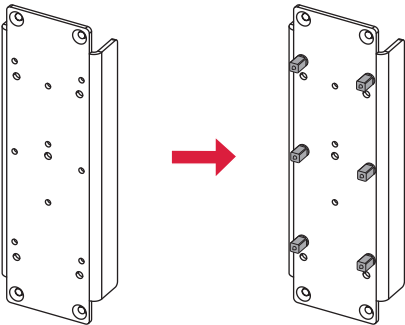


Lehnen

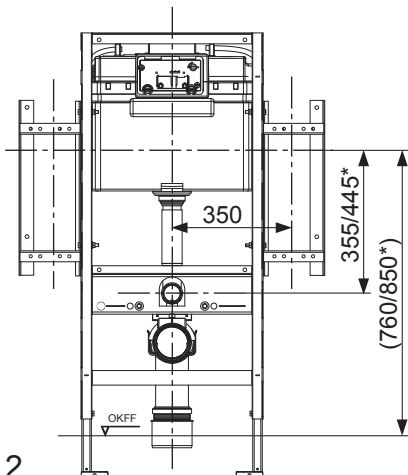
Evolution

355/445*
(760/850*)

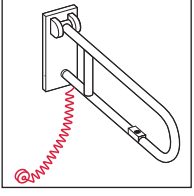
350



* DIN 18 024-2: 355 (760) mm
DIN 18 040-1: 445 (850) mm



TECEprofil – 9.042.012

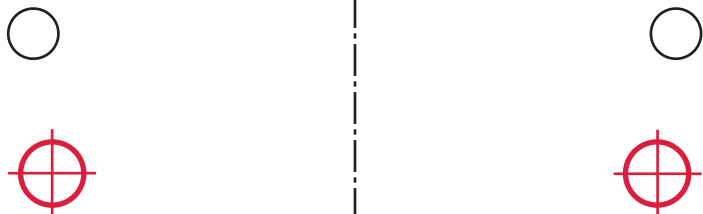
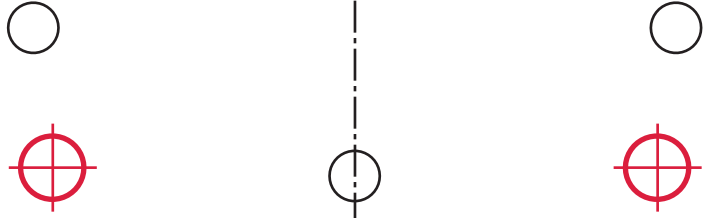
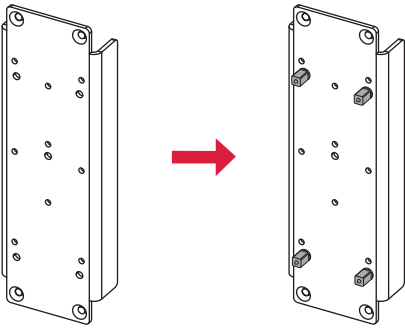


PBA

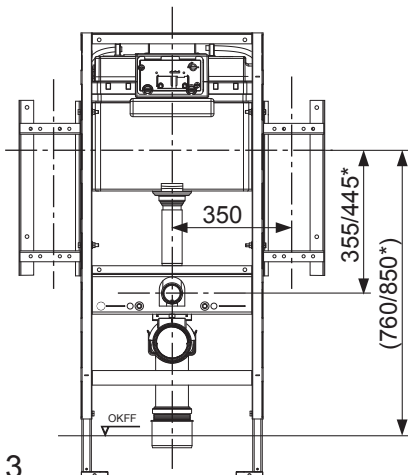
4CN4450000

355/445*
(760/850*)

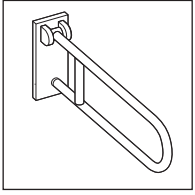
350



* DIN 18 024-2: 355 (760) mm
DIN 18 040-1: 445 (850) mm



TECEprofil – 9.042.012

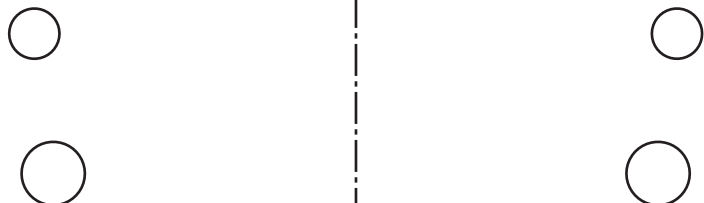
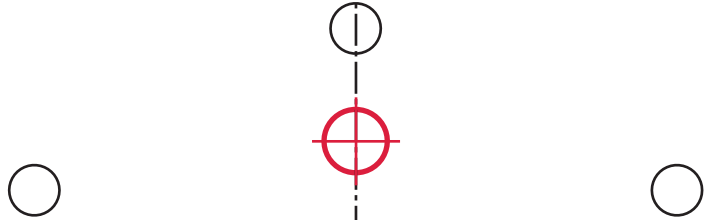
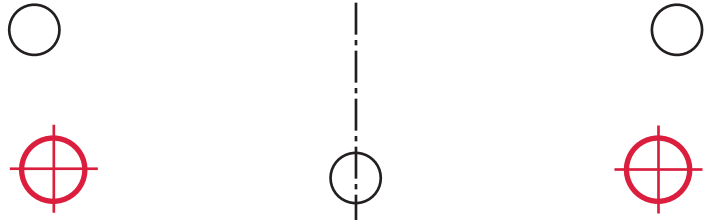
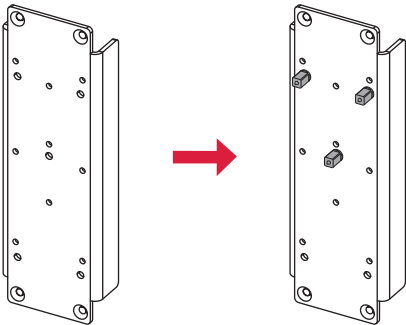


PBA

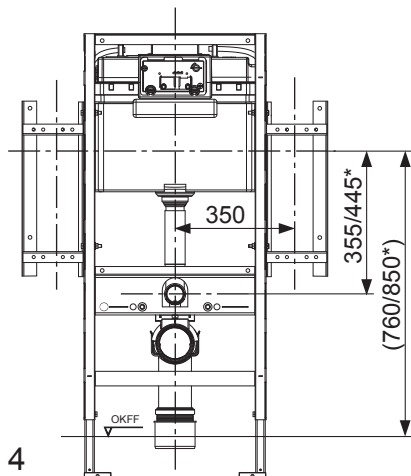
4CN445000R

355/445*
(760/850*)

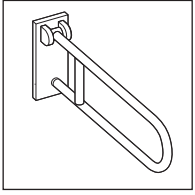
350



* DIN 18 024-2: 355 (760) mm
DIN 18 040-1: 445 (850) mm



TECEprofil – 9.042.012

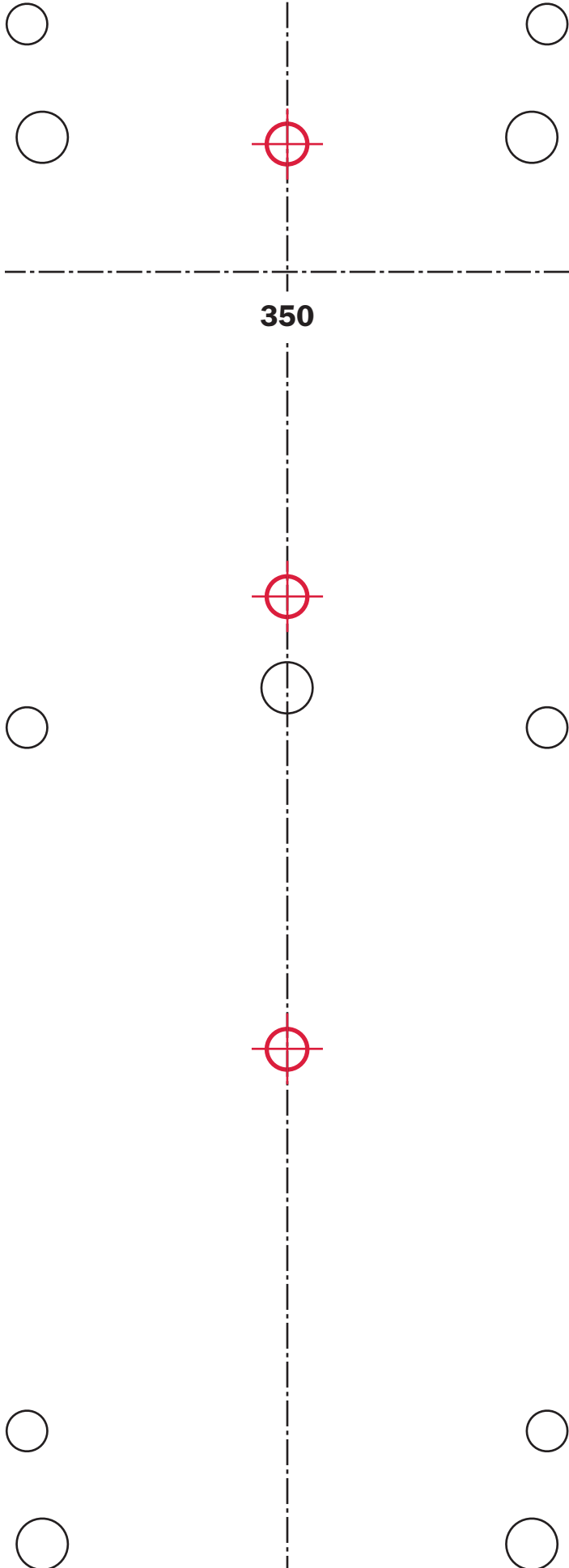
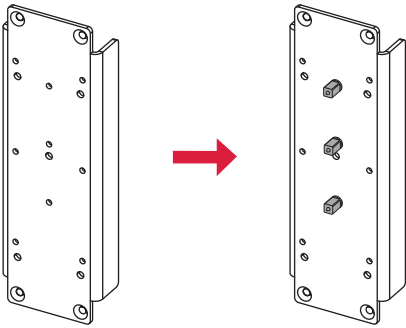


SAM

free line

355/445*
(760/850*)

350



* DIN 18 024-2: 355 (760) mm
DIN 18 040-1: 445 (850) mm

